

## CTU - Conductor Tensioner Unit (Push-type)

Recessed and Split Type Tensioners

Constant Tensioning up to 500Te Capacity

ICON Conductor Tensioners are designed to support all standard size drilling conductors from 9-5/8" to 36" from a dedicated tension deck on a jack-up drilling rig.

Constantly applied tension prevents conductor buckling, controls lateral deflection and helps reduce vortex induced vibration under wave and current loading. This allows much smaller conductor sizes to be used.

The ICON Conductor Tensioner allows the conductor support to move vertically whilst maintaining the nominally pre-set tension. It also provides the necessary lateral support to the top of the conductor.

### Technical Specifications:

Design Codes and Classification	API 7K DNVGL/ABS upon request
Ambient Temperature	-0°C to 50°C
Tension Capacity	160-500Te (or as required)
Conductor Sizing	9-5/8" to 36"
Typical Stroke	300mm (or as required)
Operating Pressure	215-230 bar
Typical Dimensions	1750mm x 1524mm x 1310mm
Nominal Weight	4,500kg
Hydraulic Fluid	Water Glycol

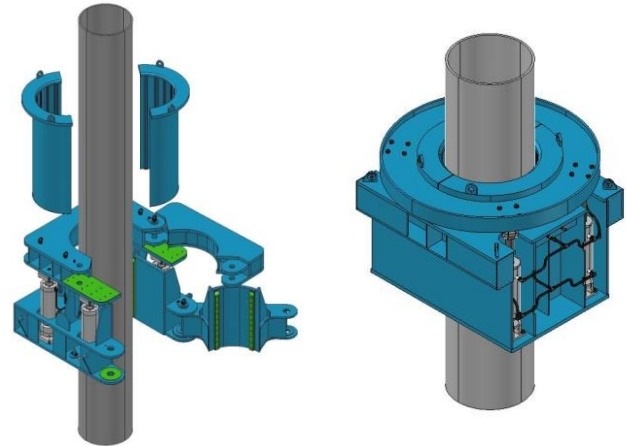
### Typical Tension Variation Vs Stroke:

25mm	50mm	75mm
4.9%	10.2%	16.0%

Note: Control unit can be customised to suit maximum conductor tension variation allowances

### Key Features and Benefits:

- Fully self-contained module complete with connections to ICON Conductor Tensioner Control Unit (CTCU).
- Suitable for recessed or above deck installation in both integrated and split type.
- Interchangeable Insert Bushes allow unit to accommodate all conductor sizes from 9-5/8" to 36" without any modifications.
- Low maintenance requirements with use of parts, materials and coatings suitable for offshore environment.
- Module self-lift points supplied.
- Complete with easy to follow operating and maintenance instructions.
- Rental and purchase options available.



Above Deck Split Tensioner

Recessed Type Tensioner



Rig Installed ICON CTUs